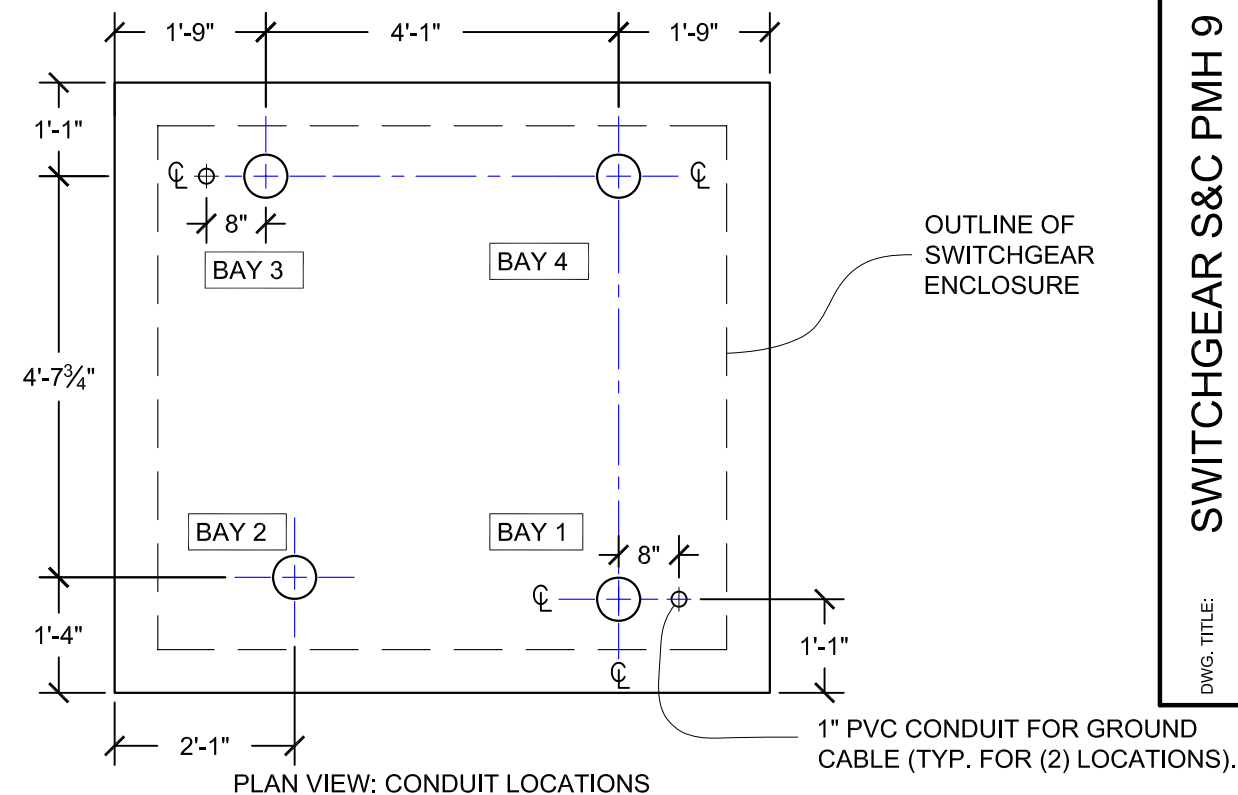
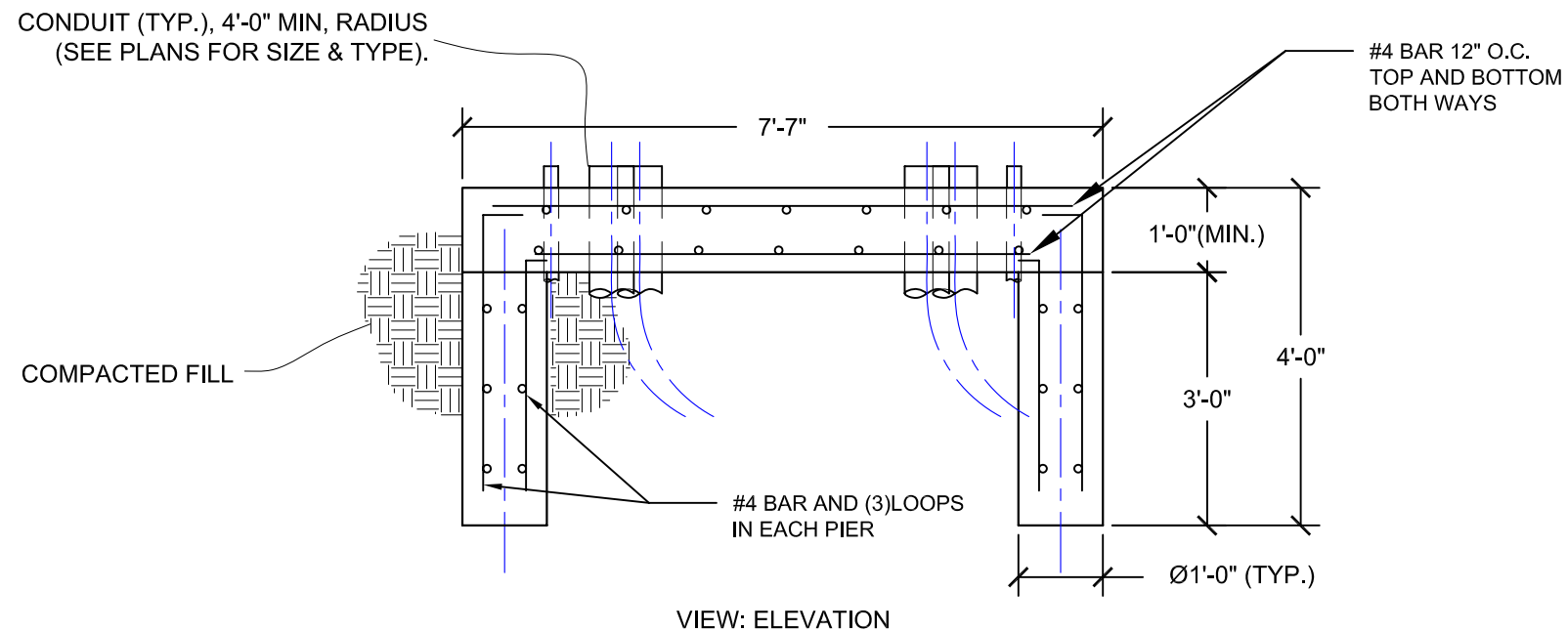


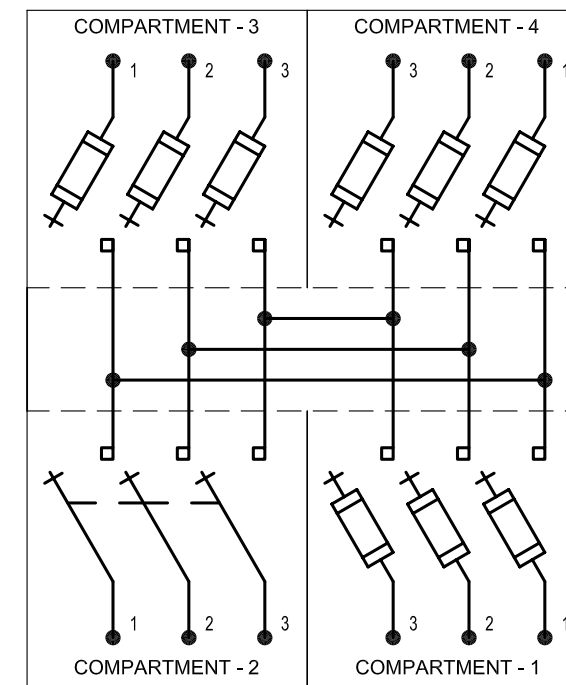
PLAN VIEW: PIER ORIENTATION



PLAN VIEW: CONDUIT LOCATIONS



VIEW: ELEVATION



PMH-9 CONNECTION DIAGRAM

MATERIAL NOTES:

CONCRETE:
28 DAY STRENGTH - 4000 PSI
COARSE AGGREGATE - 1" LIMESTONE
AIR ENTRAINING - 5% TO 7%

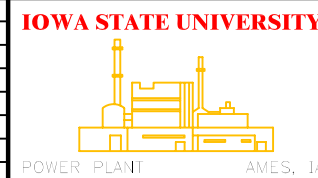
CONCRETE REINFORCEMENT:
ASTM A615 GRADE 60.

NOTES:

CONCRETE PAD MINIMUM 6" ABOVE FINISHED GROUND AND LEVEL.
ADJUST THICKNESS TO ACCOMODATE GRADING

#	Date	Revision	By

SCALE = NTS



FACILITIES PLANNING
&
MANAGEMENT
UTILITY SERVICES

DWG. TITLE: SWITCHGEAR S&C PMH 9

TYPE: CONCRETE DETAIL

DWG. NO.: EU-3_PMH 9 SWGR FOUNDATION

REV.:

SHEET: 1 OF 1

DWG. TITLE: SWITCHGEAR S&C PMH 9

TYPE: CONCRETE DETAIL

DWG. NO.: EU-3_PMH 9 SWGR FOUNDATION

REV.:

SHEET: 1 OF 1